



2080T

Tele wheel loader



Technical specifications

Engine data Standard

Manufacturer	Perkins
Engine type	404D-22
Cylinders	4
Engine performance (max.)	36.3 (50*) kW (hp)
at rpm (max.)	2,800 rpm
Cubic capacity	2,216 cm ³
Cooling system	Water



Engine data Optional

Manufacturer	Perkins
Engine type	404F-22T
Cylinders	4
Engine performance (max.)	44.7 (60*) kW (hp)
at rpm (max.)	2,800 rpm
Cubic capacity	2,216 cm ³
Cooling system	Water

Engine data Optional

Manufacturer	Deutz
Engine type	TCD 2.9 L4
Cylinders	4
Engine performance (max.)	55.4 (75*) kW (hp)
at rpm (max.)	2,300 rpm
Cubic capacity	2,900 cm ³
Cooling system	Water /charge air

Electrical system

Operating voltage	12 V
Battery	95 Ah
Alternator	95 A

Weights

Operating weight (standard)	4,500 / 4,600* kg
Tipping load with bucket - machine straight	2,632 (1,507*) // 3,041 (1,806*) kg
Tipping load with pallet fork - machine straight	2,311 (1,405*) // 2,671 (1,655*) kg

Vehicle data

Axle	PA 1,200
Cab	Cabin
Ground speed (optional)	0 - 20 (28*) km/h
Speed stages	2



Fuel tank capacity	75 l
Hydraulic oil tank capacity	50 l

Hydraulic system

External services - Operating pressure	445 bar
Steering hydraulics - Oil flow (optional)	56 (63-74) l/min
Steering hydraulics - Operating pressure	235 bar

Drive

Type of drive	Hydrostatic
Traction drive	Universal joint shaft

Noise values

Average sound power level LwA	99.3 dB(A)
Guaranteed sound power level LwA	101 dB(A)
Specified sound pressure level LpA	78 dB(A)

*Values with optional Deutz engine
The values are telescoped out in () for the tipping loads

Tipping load calculation according to ISO 14397

Vibrations (weighted average effective value)

Hand-arm vibrations (HAV): The hand-arm vibrations are no more than 2.5 m/s²

Whole body vibrations: This machine is equipped with a driver's seat that meets the requirements of EN ISO 7096:2000.

When the loader is properly used, the whole body vibrations vary from below 0.5 m/s² up to a short-term maximum value.

It is recommended to use the values specified in the table when calculating the vibration values according to ISO/TR 25398:2006. At the same time the actual use conditions have to be taken into consideration.

Telescopic loaders, like wheel loaders, are to be classified by operating weight.

Type of loader	Typical operating conditions	Average value			Standard deviation (s)		
		$1.4 \cdot a_{w,eqx}$	$1.4 \cdot a_{w,eqy}$	$a_{w,eqz}$	$1.4 \cdot s_x$	$1.4 \cdot s_y$	s_z
		[m/s ²]	[m/s ²]	[m/s ²]	[m/s ²]	[m/s ²]	[m/s ²]



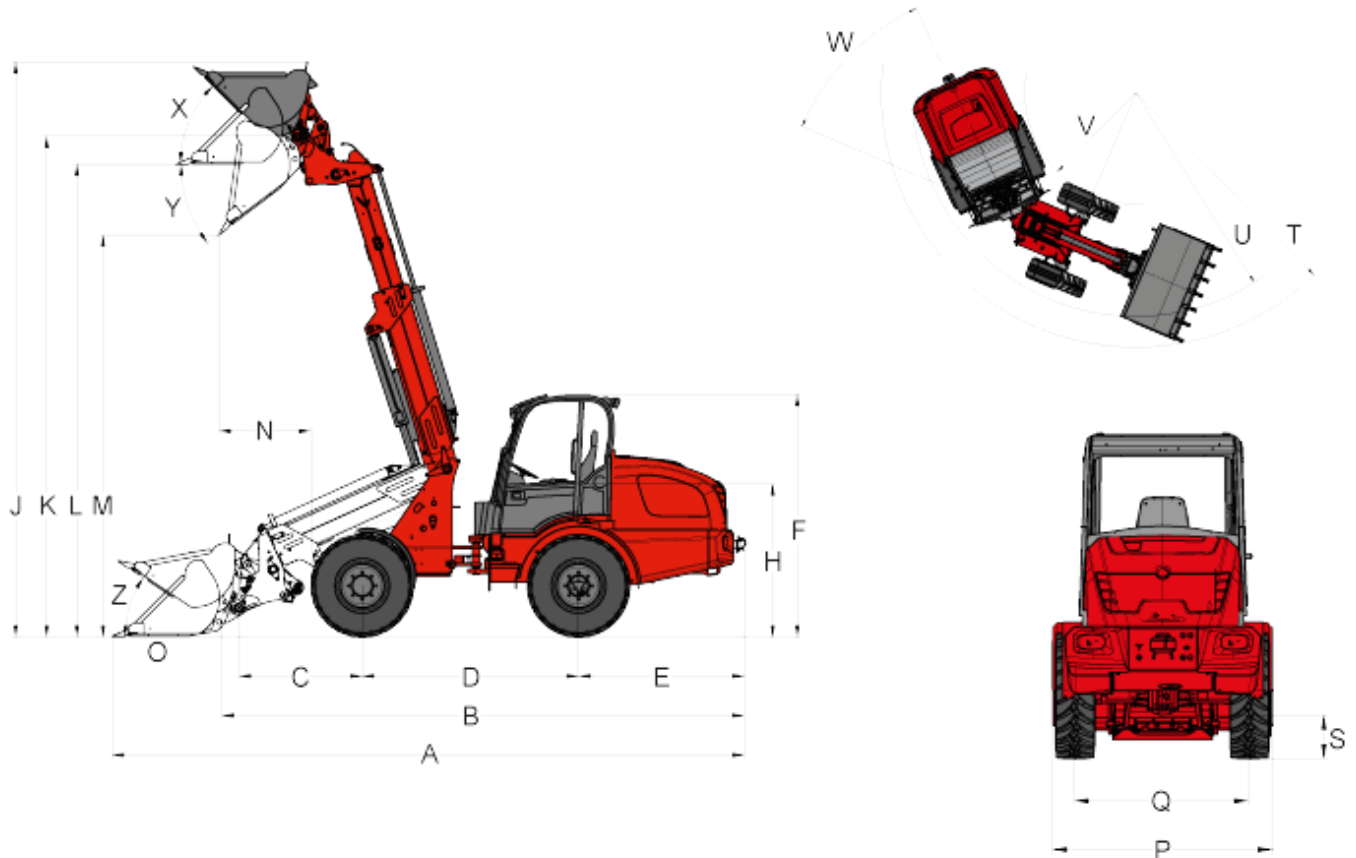
Compact wheel loader (operating weight < 4,500 kg)	Load & carry (load and transport work)	0.94	0.86	0.65	0.27	0.29	0.13
Wheel loader (operating weight > 4,500 kg)	Load & carry (load and transport work)	0.84	0.81	0.52	0.23	0.2	0.14
	Application in extraction (harsh application conditions)	1.27	0.97	0.81	0.47	0.31	0.47
	Transfer drive	0.76	0.91	0.49	0.33	0.35	0.17
	V-operation	0.99	0.84	0.54	0.29	0.32	0.14



2080T

Tele wheel loader

Dimensions



Standard tyres 11.5 / 80 - 15 AS ET40

A	Total length	5,468 mm
B	Total length (without bucket)	4,689 mm
C	Axle middle to bucket pivot pin	875 mm
D	Wheelbase	2,120 mm
E	Rear overhang	1,516 mm
F	Height to top of cabin - low-profile	2,359 mm
F	Height to top of cabin - high-profile	2,535 mm
H	Seat top height	1,429 mm



J	Total working height	4,937 mm
K	Height of bucket pivot (max.)	4,292 mm
L	Load-over height	3,935 mm
M	Dumping height	3,455 mm
N	Operating distance for M	760 mm
O	Digging depth	154 mm
P	Total width	1,410 mm
Q	Track width	1,120 mm
S	Ground clearance	295 mm
T	Maximum radius external	3,761 mm
U	Radius at the outer edge	3,316 mm
V	Inside turning radius	1,727 mm
W	Inclination angle	45 °
X	Rollback angle at max. lifting height	60 °
Y	Dumping angle (max.)	35 °
Z	Rollback angle (on the ground)	37 °

Load capacity diagram

	1,163 / 1,340* kg
	892 / 1,039* kg
	702 / 828* kg

* Values with Deutz engine



2080T

Tele wheel loader

Standard features

Motor

- Perkins 404 D-22 (36.3 kW / 50 hp) - Exhaust emission level IIIA

Drive system

- PA1200 planetary axle
- Hydrostatic all-wheel drive, travel direction can be selected via joystick
- Service brake: Hydrostatic drive system acting on all 4 wheels (wear-free)
- Central service and parking brake in the drive train acting on all 4 wheels
- 100% differential lock, electric-hydraulically connectable on front and rear axle
- Tires 11.5 / 80 - 15.3 AS ET40

Steering system

- Hydraulic articulated pendulum steering, 12° oscillating angle

Hydraulics

- 3rd control circuit front, proportionally via joystick
- Hydraulic oil cooler
- Unpressurised front reverse travel
- Floating position for lift cylinder

Driver's Cabin

- Comfort cabin with heater and fan, laterally tiltable, roll-over protective structure / FOPS-tested ("low" cabin height 2359 mm)
- Comfort seat with safety belt, fully suspended, weight, back and horizontal adjustment
- Hydraulic pilot operated joystick with motion direction switch and integrated touch button for differential lock and proportional telescoping function
- Adjustable steering wheel



Other

- Working lights (2 front, 2 rear)
- Operating hour meter
- Battery circuit breaker
- Fuel display
- Hydraulic quick-change system for attachments
- Toolbox in the vehicle rear
- Lighting display according to Road Traffic Regulations
- Triple-pole plug receptacle in front for dual function



2080T

Tele wheel loader

Options

Motor

- Perkins 404F-22T (44.7 kW / 60 hp) - Exhaust emission level IIIB
- Deutz TCD 2.9 L4 (55.4 kW / 75 hp) - Exhaust emission level IIIB
- Engine pre-heater + hydraulic oil pre-heater 230 V

Drive system

- Hand inching (creep speed controller)
- Speed increase to 28 km/h
- Load arm dampening

Driver's Cabin

- Comfort cabin with heater and fan, laterally tiltable, roll-over protective structure / FOPS-tested ("high" cabin height 2535 mm)
- Air-cushioned comfort seat (fabric)
- Heated seat
- Air-conditioning system
- Cabin plug receptacle 230 V
- Storage box with bottle holder

Lighting

- MEGA working lights (2 front, 2 rear)
- LED working lights (2 front, 2 rear)
- Rotating beacon

Hydraulics

- Unpressurised reverse travel (rear)
- Work hydraulics of large pump (63 l/min)
- Work hydraulics of large pump (70 l/min)



- Work hydraulics of large pump (74 l/min)
- Reversing valve in front on 3rd control circuit (3rd control circuit with 4 connections)
- Faster rapid action couplings (machine and attachment-side)
- Additional hydraulic oil cooler
- Dual-acting hydraulic connection in rear (30 or 51 l/min) proportional (two couplings) via reversing valve
- Dual-acting hydraulic connection in rear (30 or 51 l/min) (two couplings), including separate steering valve
- 2x dual-acting hydraulic connection in rear (30 or 51 l/min) (four couplings), including separate steering valve

Electrical connections

- Front plug receptacle, 3-pole (dual function)
- Plug receptacle for rear attachments, 7-pin
- Triple-pole plug receptacle in rear

Other

- Radio
- Reversing warning device (acoustic)
- Combination case with warning triangle and first-aid kit
- Tool kit
- Fire extinguisher 2kg
- Counterweight floor plate
- Automatic trailer coupling
- Approval as self-propelled work machine with AHK*
- Official approval for road use
- Fully automatic central lubrication unit
- Custommade paint finish
- Hand lever grease gun
- Registration plate mounting
- TÜ expert's report (addendum in vehicle documentation)

* Trailer coupling

Please note

that product availability can vary from country to country. It is possible that information / products may not be available in your country. Photos may depict options. Subject to change without notice. Errors and omissions are reserved. The contractual agreement is expressly decisive. More detailed information on engine power can be found in the operator's manual; the stated power may vary due to specific operating conditions.

Subject to alterations and errors excepted. Applicable also to illustrations.

Copyright © 2017 Weidemann GmbH.